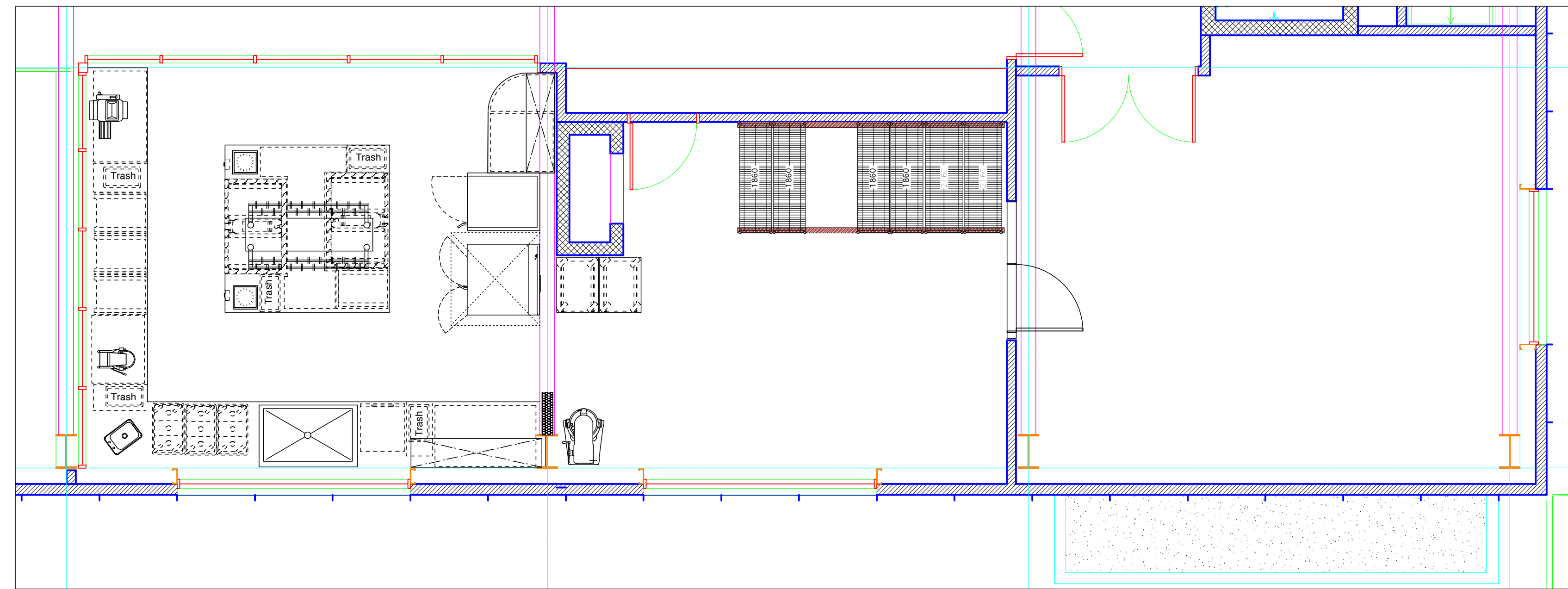


1st Floor Schematic Plan-B



2nd Floor Schematic Plan-B



The Shed
Healdsburg, CA

FEASIBILITY STUDY

Foodservice Schematic Plan with Images of Kitchen

FS3.0

Scale: 1/4" = 1'-0"

Date: 8-18-10

Project No.: the shed

MÜLLER

Food Facilities Planning & Design
1584 Dessert Drive, Minden, NV 89423
TEL: 775/782-1110 FAX: 775/782-1267
E-Mail: frank@mullerdesign.com



The Shed
Healdsburg, CA

FEASIBILITY STUDY

Images of Lower & Upper Kitchen

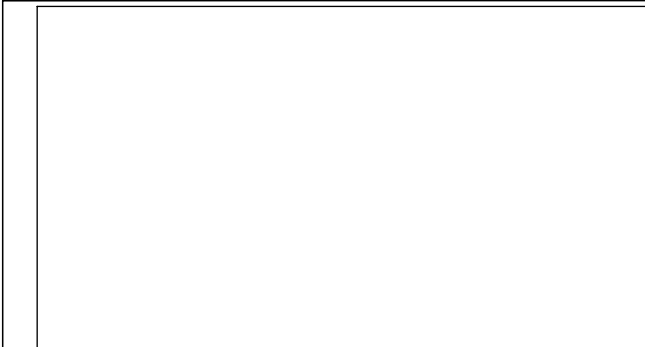
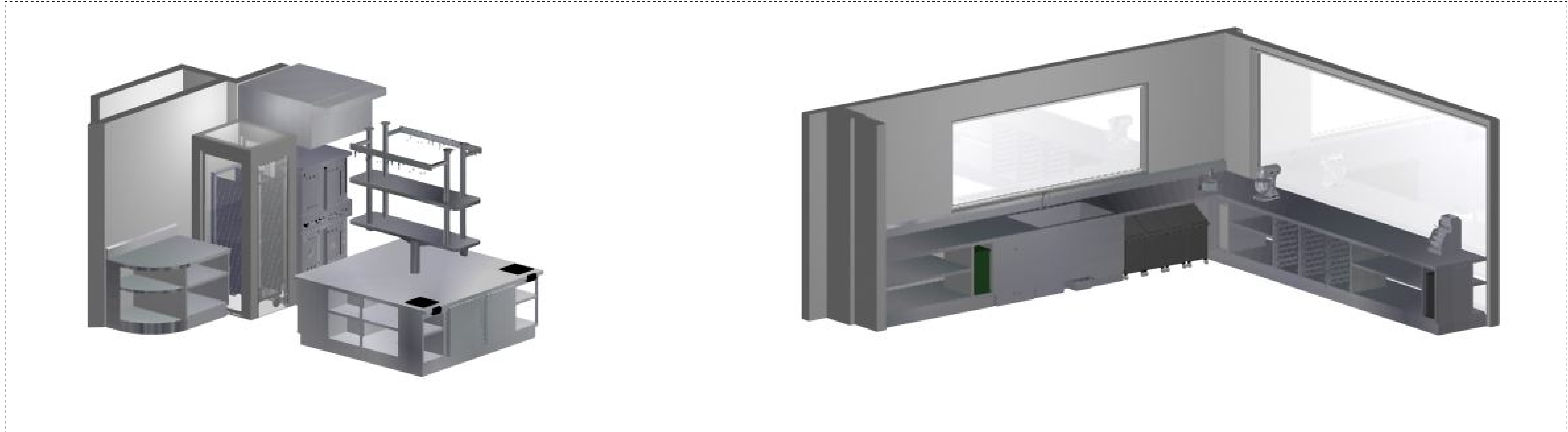
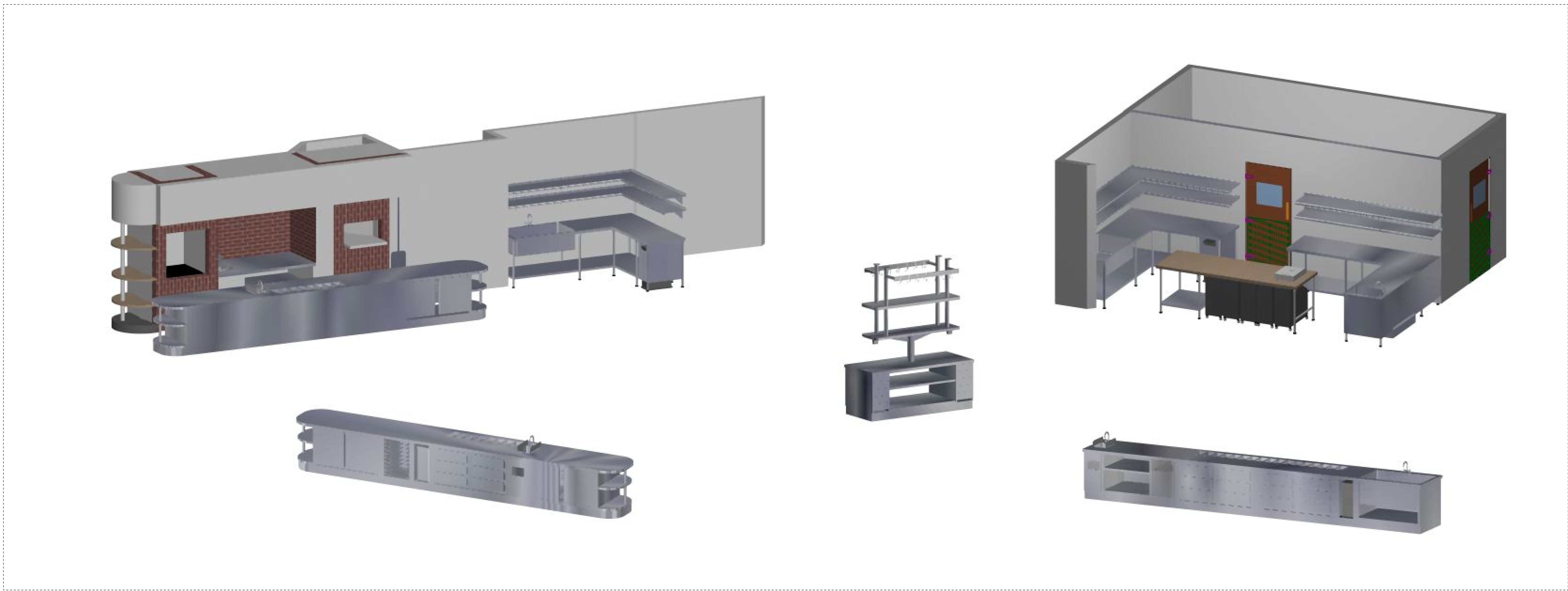
FS3.1

Scale: 1/4" = 1'-0"

Date: 8-18-10

Project No.: the shed

MÜLLER
Food Facilities Planning & Design
1584 Deseret Drive, Minden, NV 89423
TEL: 775/782-1110 FAX: 775/782-1267
E-Mail: frank@mullerdesign.com



The Shed
Healdsburg, CA

FEASIBILITY STUDY

Images of Lower & Upper Kitchen

FS3.2

Scale: 1/4" = 1'-0"

Date: 8-18-10

Project No.: the shed

MÜLLER

Food Facilities Planning & Design
1584 Deseret Drive, Minden, NV 89423
TEL: 775/782-1110 FAX: 775/782-1267
E-Mail: frank@mullerdesign.com